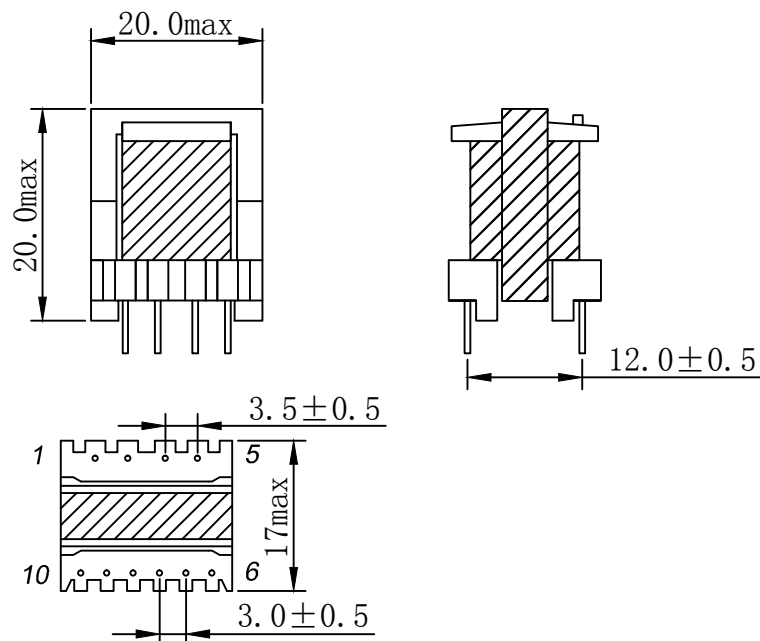


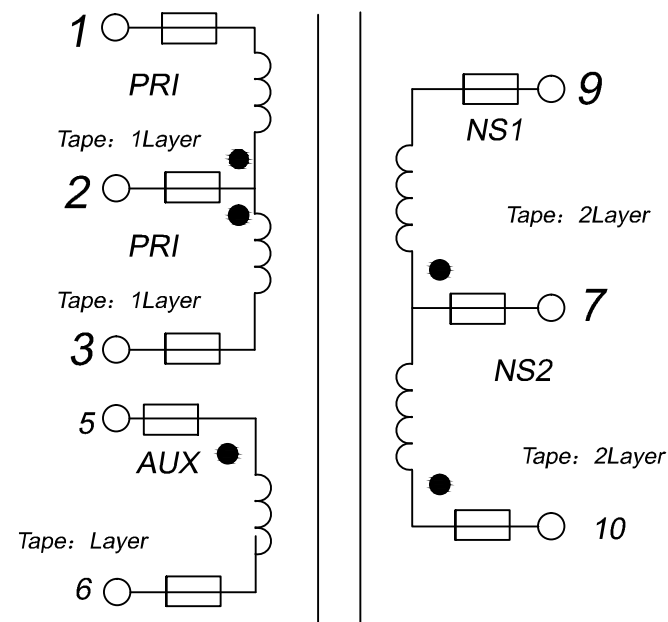
CUSTOMER TERMINAL	ROHS	Lead (Pb) -free
	YES	YES



1. Mechanical Dimensions



2. Schematic Diagram



3. Material List

Core: EE16 FW40
 Bobbin: EE16 4pri+6sec
 Wire: 2UEW TIW-B
 Operating Temperature: -30 to 115°C
 Fix the core with 2Ts of 0.025*5.0mm tapes

4. Electrical Specification

Inductance: $L(3-1) = 2.5\text{mH} \pm 12\%$ 1KHZ 0.3V
 Leakage Inductance: $L_k(3-1) \leq 65\mu\text{H}$ 100KHZ 1V
 Hi-pot: P to S: AC50HZ2000V 5mA 1S
 Pri to Aux: AC50HZ1000V 5mA 1S

REV.	DATE	 Convention Placement	DRW.	Drawing Title: TRANSFORMER	Part No:
0	03/21		CHK.		Customer P/N:
RoHS		www.ferriwo.com	APP.		Specification Sheet 1 of 1